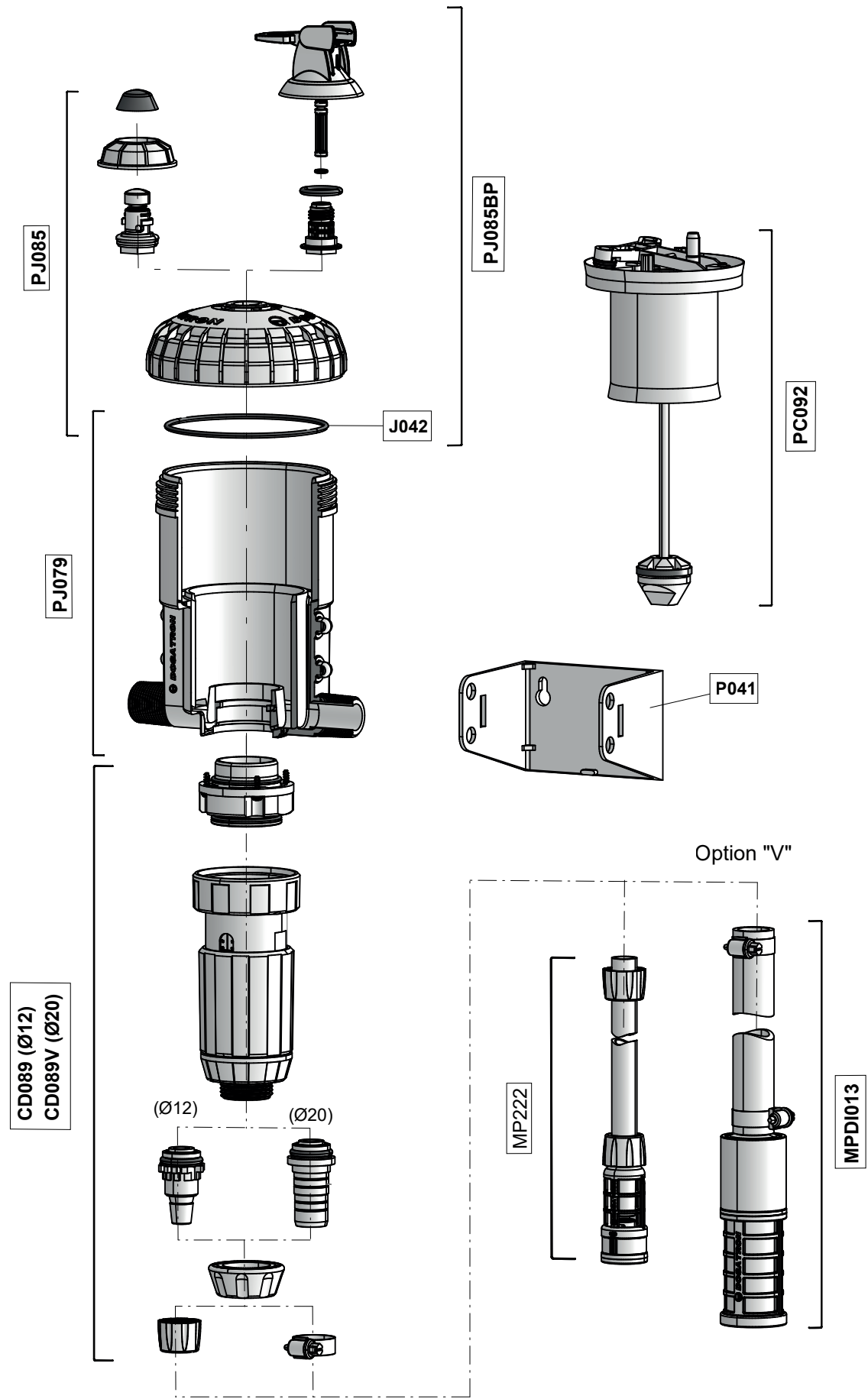


# D25 3 - 10%

2.5m<sup>3</sup>/h - 3 - 10%  
 9 GPM - 1:33 - 1:10  
 0.3 - 6 bar  
 4.3 - 85 psi



# D25 3 - 10%

2.5m<sup>3</sup>/h - 3 - 10%  
9 GPM - 1:33 - 1:10  
0.3 - 6 bar  
4.3 - 85 psi

