

**NEED HELP ?**

Contact your DOSATRON distributor for service or parts






For complete information on the features and operations, refer to your Manual on [www.dosatron.com](http://www.dosatron.com) or download our DOSATRON app

**IMPORTANT NOTES**

Congratulations on your new Dosatron.  
Please read the following important information.



**DOSATRON**

**QUICK START UP**

**D3WL**


**3m<sup>3</sup>/h 14 US GPM**

**WATER LINE**

*Because life is powered by water.*

**CAUTION**

- When connecting a DOSATRON either to the public water supply or to its own water source, you must respect the regulations in force concerning protection of the source i.e. backflow prevention, etc.
- Contact local authorities for requirements of backflow prevention.
- When installing, operating, and maintaining the DOSATRON water powered metering pump, keep safety considerations foremost. Use proper tools, protective clothings, and eye protection when working on the equipment and install the equipment with a view toward ensuring safe operation.
- Follow the instructions in the manual and take additional safety measures appropriate to the liquid being pumped and the temperature of the water that powers the DOSATRON. Be extremely careful in the presence of hazardous substances (e.g. corrosives, toxins, solvents, acids, caustic, flammables, etc.).
- Before applying any aggressive chemicals, please consult your distributor to confirm compatibility with the dosing pump.
- Dosatron Water Line pumps which REF contains index «N» are certified under NSF/ANSI Standard 61 & 372 (Drinking Water Treatment Equipment). They are certified for use with calcium hypochlorite (max concentration 65% ) and with sodium hypochlorite (max concentration 15 %). The temperature of the treated water should not exceed 23°C.

 **Hand tighten. No tools needed.**

**RECOMMANDATIONS**


**DO NOT USE THIS UNIT WITHOUT A 60 MICRON [300 MESH] WATER FILTER\* OR YOUR WARRANTY WILL BE VOID.**


\*The 60 micron [300 mesh] water filter (sold separately) protects your unit from debris in the water that causes scoring to the piston and housing.

**KNOW YOUR WATER FLOW! GRADUALLY TURN ON THE WATER.**

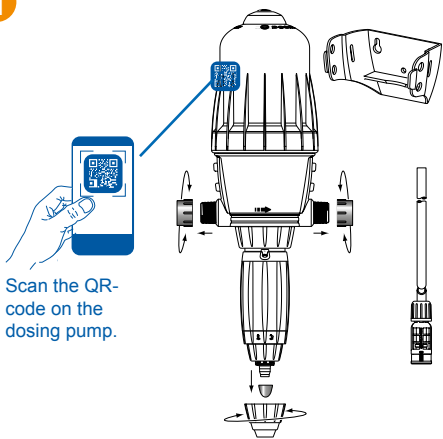
**COUNT THE NUMBER OF CLICKS IN 15 SECONDS. DO NOT EXCEED 46 CLICKS.**

<b>CLICK CHART</b>			
Clicks	l/h	Clicks	l/h
2	130	16	1020
4	260	32	2040
8	510	46	3000

 **MAXIMUM PRESSURE 6 bar [87 PSI]**

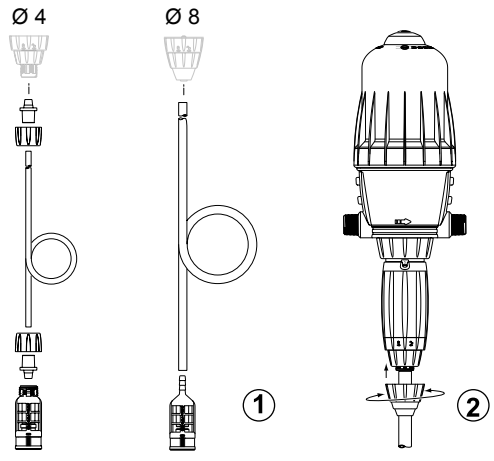
  
 MANUFACTURED BY - FABRIQUE PAR :  
 DOSATRON INTERNATIONAL S.A.S.  
 Certified GEHS System  
 Rue Pascal - B.P. 6 - 33370 TRESSÈS (BORDEAUX) - FRANCE  
 Fax: 33 (0)5 57 97 11 14  
 Tel: 33 (0)5 57 97 11 11  
 info@dosatron.com - www.dosatron.com  
 This document does not form a contractual engagement on the part of Dosatron International and is for information only. Dosatron International reserves the right to alter product specification or appearance without prior notice.  
 © DOSATRON INTERNATIONAL S.A.S 2016

1



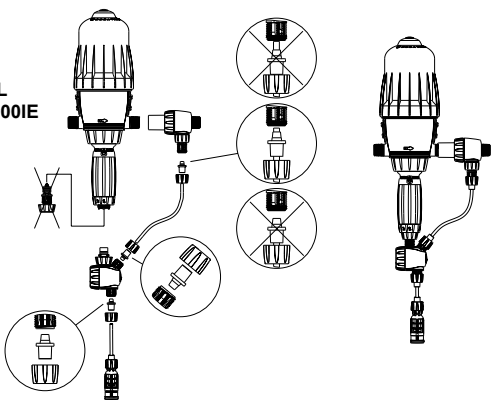
Scan the QR-code on the dosing pump.

2

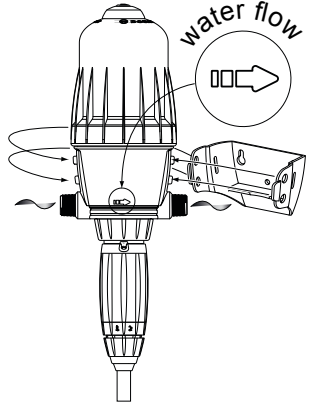


3

SPECIAL D3WL3000IE

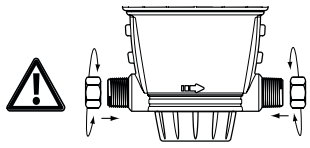


4



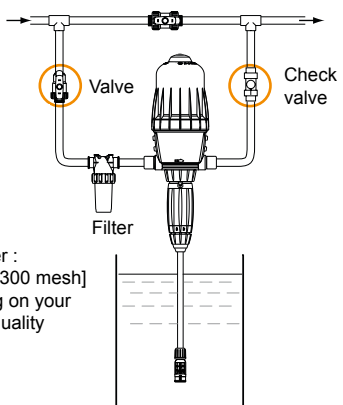
### Maximum: 46 clicks/15 sec.

5



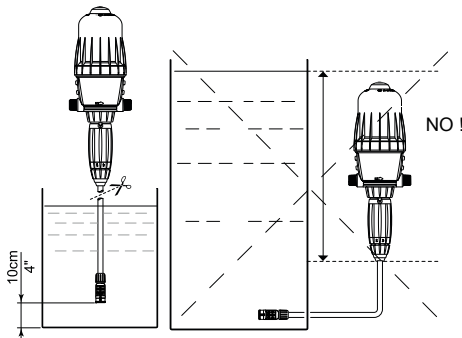
Max.Torque 20 Nm thus 2 kg (1 N.m = 0,1 DaN.m)

INSTALLATION HINTS



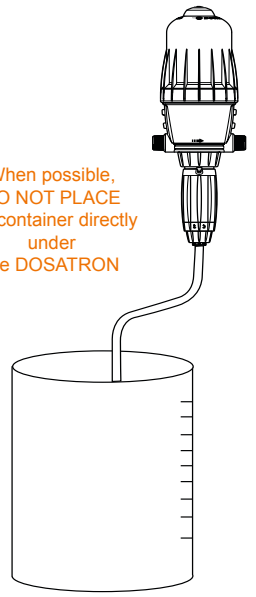
Filter : 60 microns [300 mesh] Depending on your water quality

6



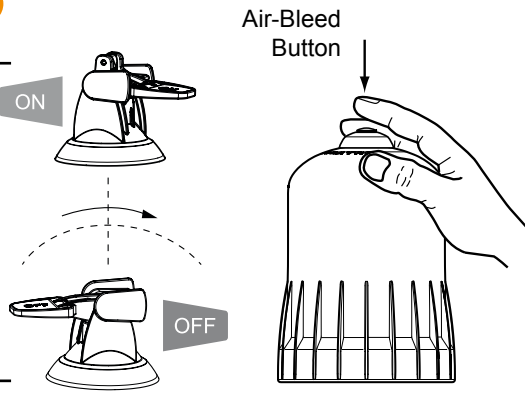
7

When possible, DO NOT PLACE the container directly under the DOSATRON



8

BY PASS Option



9

