



QUICK START UP

D25 RANGE

2.5 m³/h - 11 US GPM



*Congratulations on your new Dosatron.
Please read the following important information.*

IMPORTANT NOTES

For complete information on the features and operations, refer to your manual on www.dosatron.com or download our DOSATRON app



NEED HELP ? Contact your DOSATRON distributor for service or parts.

**CUSTOMER SERVICE - SERVICE CLIENTÈLE (WORLDWIDE - EUROPE)
MANUFACTURED BY - FABRIQUÉ PAR :**

DOSATRON INTERNATIONAL S.A.S.

Certified QEH&S System

Rue Pascal - B.P. 6 - 33370 TRESSSES (BORDEAUX) - FRANCE
Tel. 33 (0)5 57 97 11 11
Fax. 33 (0)5 57 97 11 29 / 33 (0)5 57 97 10 85
info@dosatron.com - www.dosatron.com



**CUSTOMER SERVICE - SERVICE CLIENTÈLE
(NORTH & CENTRAL AMERICA)**

DOSATRON INTERNATIONAL INC.

2090 SUNNYDALE BLVD. CLEARWATER - FL 33765 - USA
Tel. 1-727-443-5404 / 1-800-523-8499- Fax 1-727-447-0591
Site web: www.dosatronusa.com

This document does not form a contractual engagement on the part of Dosatron International and is for information only. Dosatron International reserves the right to alter product specification or appearance without prior notice.
© DOSATRON INTERNATIONAL S.A.S 2012

ET276Warning-D25-EN-US/11/15

⚠ CAUTION

- When connecting a DOSATRON either to the public water supply or to its own water source, you must respect the regulations in force concerning protection of the source i.e. backflow prevention, etc.
- Contact local authorities for requirements of backflow prevention.
- When installing, operating, and maintaining the DOSATRON water powered metering pump, keep safety considerations foremost. Use proper tools, protective clothings, and eye protection when working on the equipment and install the equipment with a view toward ensuring safe operation.
- Follow the instructions in the manual and take additional safety measures appropriate to the liquid being pumped and the temperature of the water that powers the DOSATRON. Be extremely careful in the presence of hazardous substances (e.g. corrosives, toxins, solvents, acids, caustic, flammables, etc.).
- Before applying any aggressive chemicals, please consult your distributor to confirm compatibility with the dosing pump.

Hand tighten. No tools needed.

RECOMMENDATIONS

DO NOT USE THIS UNIT WITHOUT A 60 MICRON [300 MESH] WATER FILTER* OR YOUR WARRANTY WILL BE VOID.

*The 60 micron [300 mesh] water filter (sold separately) protects your unit from debris in the water that causes scoring to the piston and housing.

**KNOW YOUR WATER FLOW!
GRADUALLY TURN ON THE WATER.**

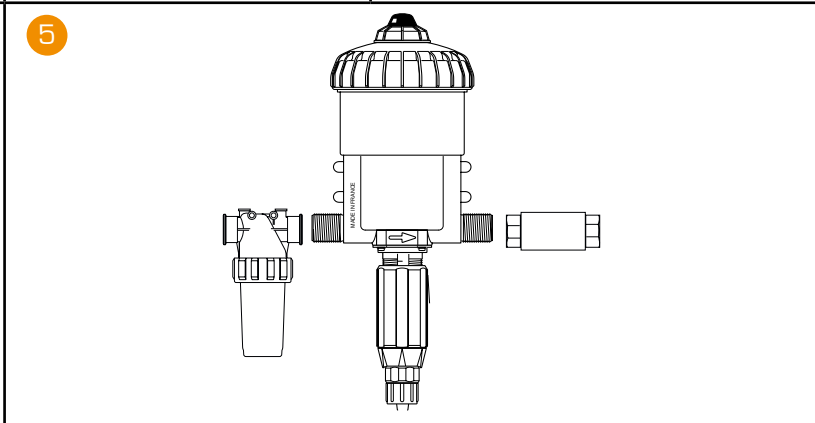
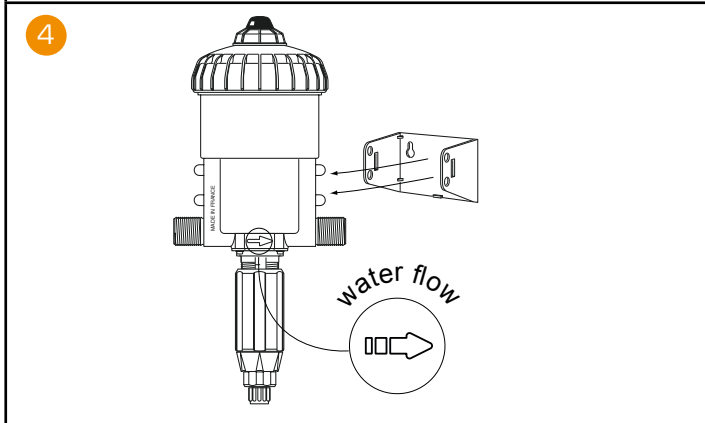
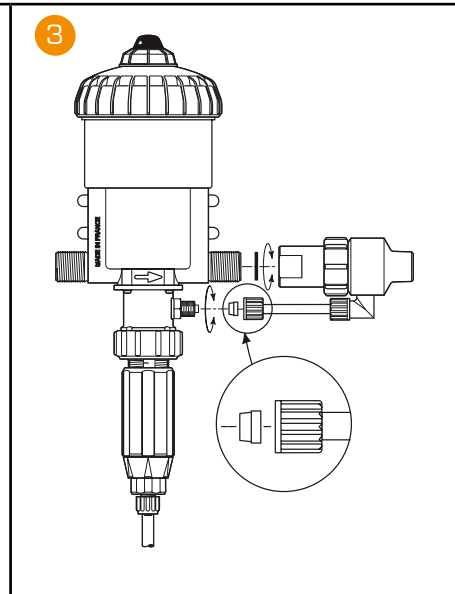
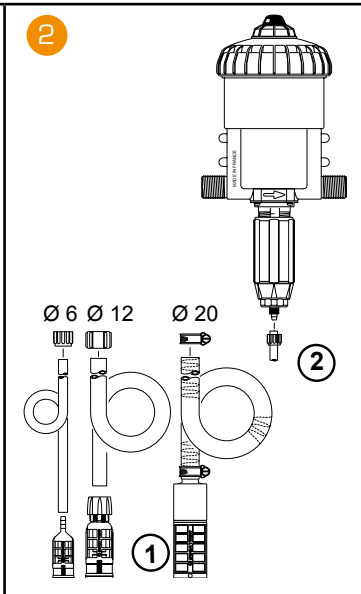
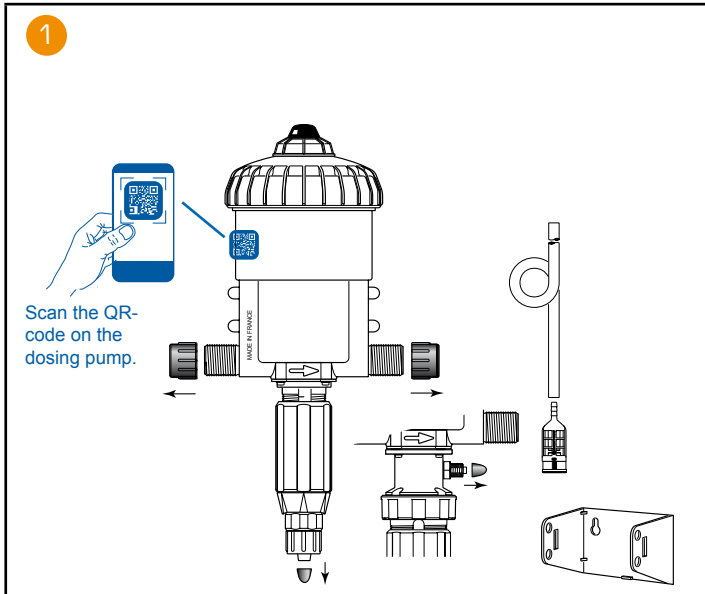
COUNT THE NUMBER OF CLICKS IN 15 SECONDS. DO NOT EXCEED 46* CLICKS.

CLICK CHART

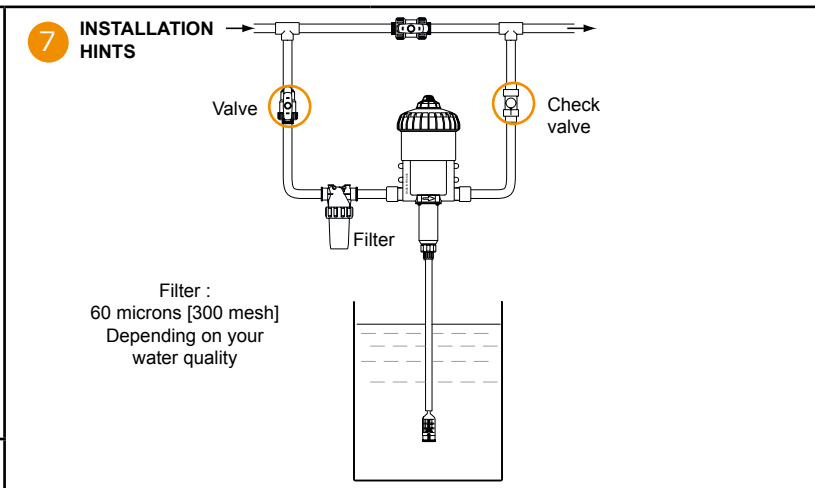
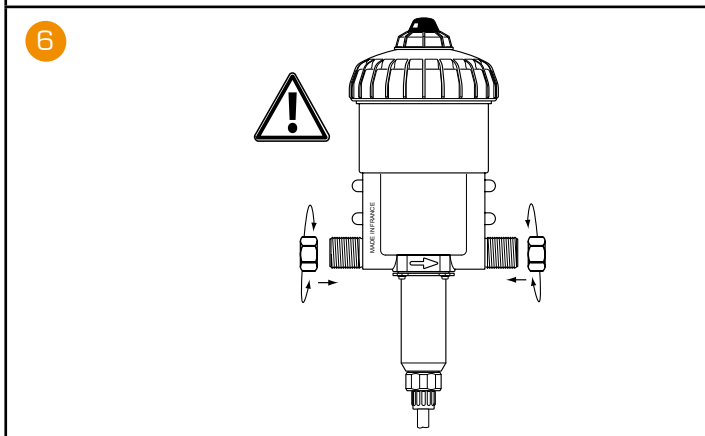
Clicks/15sec	l/h	GPM
2	110	0.5
4	220	1
18	1000	4.5
36	2000	9
46	2500	11

MAXIMUM PRESSURE 6 bar* [85 PSI]

* 4 bar [57psi] D25RE10



Maximum: 46 clicks/15 sec.



Max. Torque 20 Nm thus 2 kg (1 N.m = 0,1 DaN.m)

